

The Easyflow range of thermo controlled taps are supplied with thermostatic control at the base of each tap, allowing the user to control the temperature. Ideal for domestic use.

Easyflow Features

Control:

Designed with SCM. Stops water automatically when water flow exceeds 1 minute.

Adjustable distance:

Easily adjustable sensor range.

Strainer device:

Strainer can be removed and cleaned to prevent blocking

Anti-blocking needle:

The solenoid valve is protected by an anti-blocking needle inside

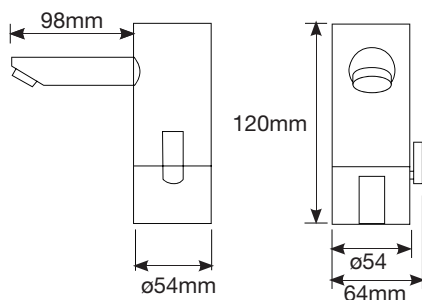
Technical Specifications

Operating Pressure: 1.0 - 8.0 bar (14.5 - 116 PS)

Maximum Water Temperature: 70°C

Water Supply: 1/2" BSP

WR-ZY-8804D



Dimensions

H 120 x Ø 50 x Projection 98 mm