

The Fixflow range of automatic taps are specifically designed to be installed at a preset temperature, controlled by a thermostatic regulator (supplied) ensuring a constant controlled temperature every time the tap is activated. Ideal for public and commercial washrooms.

Fixflow Features

Control:

Designed with SCM. Stops water automatically when water flow exceeds 1 minute.

Adjustable distance:

Easily adjustable sensor range.

Strainer device:

Strainer can be removed and cleaned to prevent blocking

Anti-blocking needle:

The solenoid valve is protected by an anti-blocking needle inside

Technical Specifications

Operating Pressure: 1.0 - 8.0 bar (14.5 - 116 PS)

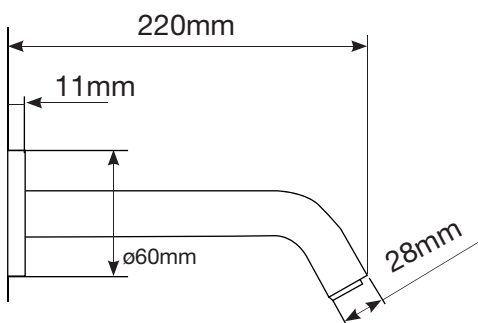
Maximum Water Temperature: 70°C

Water Supply: 1/2" BSP

Capacity: 6 volts

Power Supply: 4 x AA Batteries or 240V mains transformer 6V DC

WR-ZY-8131A



Dimensions

Base Ø60 x Tap body Ø28 x Projection 220mm